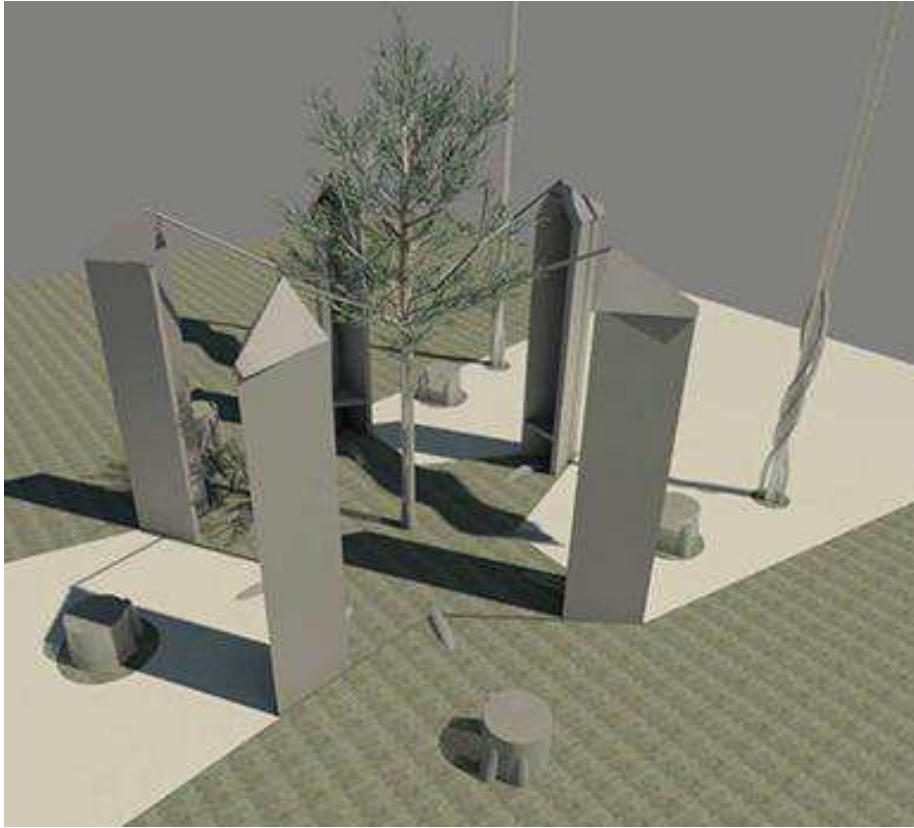


Memorial High School Design Project

By **Sophia M., Mason S.,
and Kyler S.**



**Our
Original
Design**

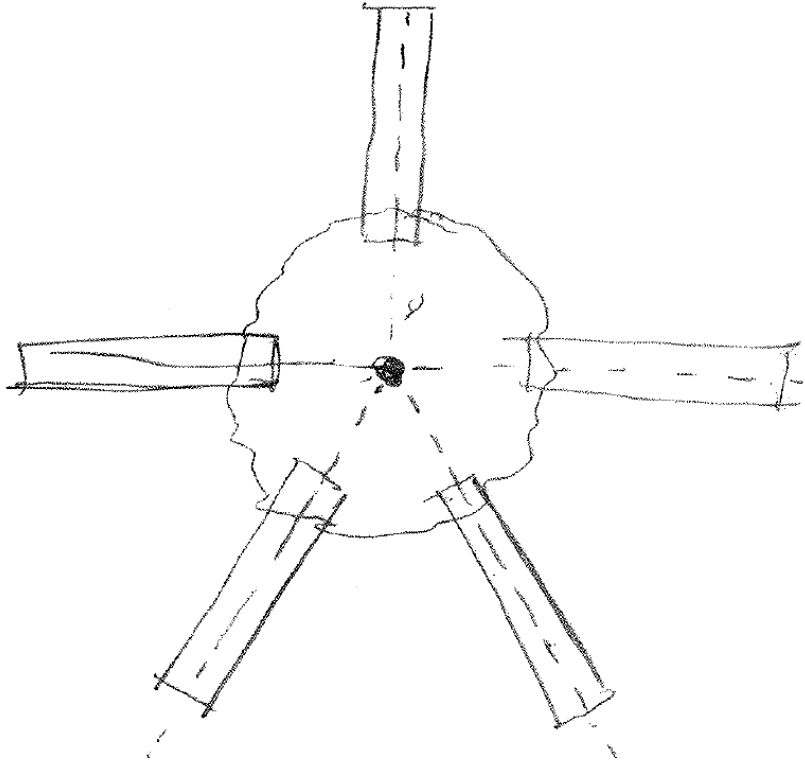
New Design

Changes Made

- The Placement of the Pillars
- The Tree is Real
- The Area Surrounding the Tree
- Materials

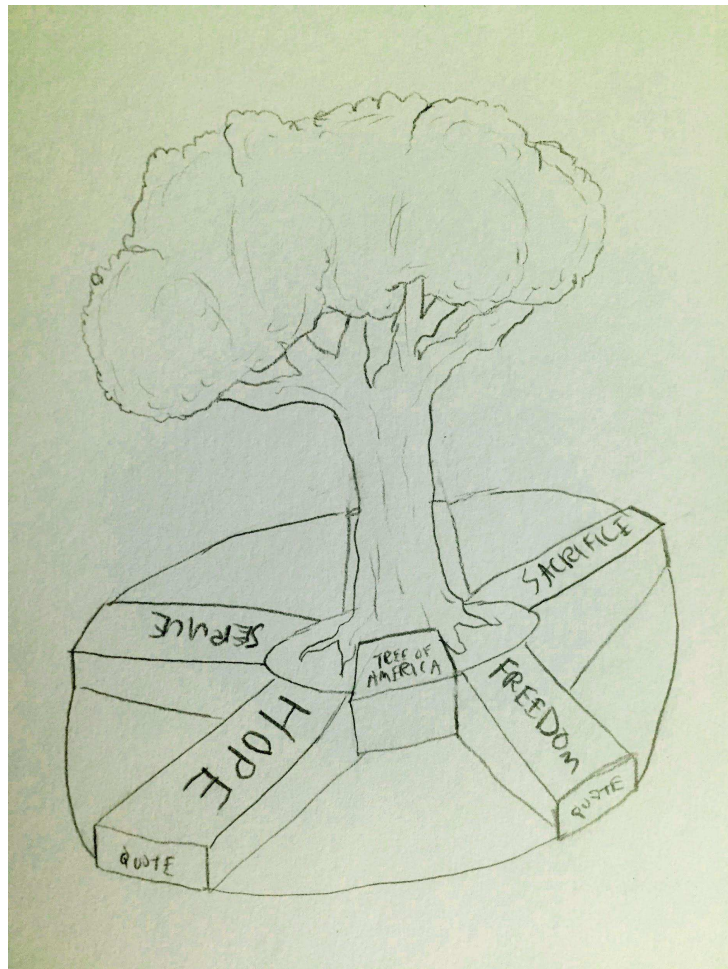
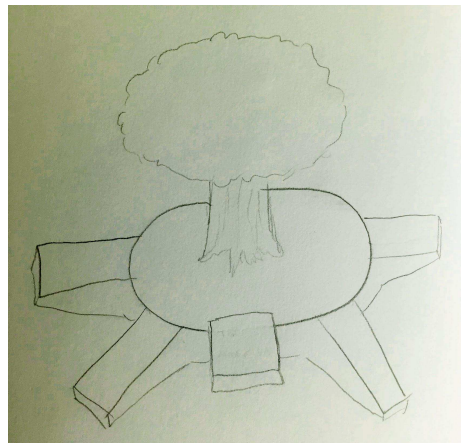
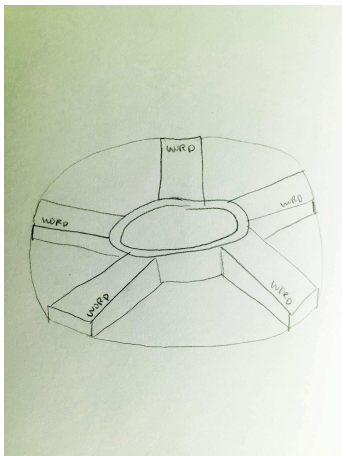
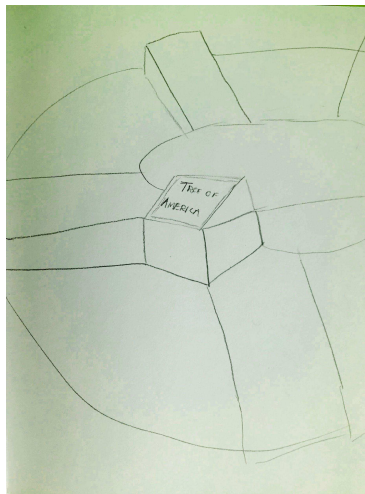
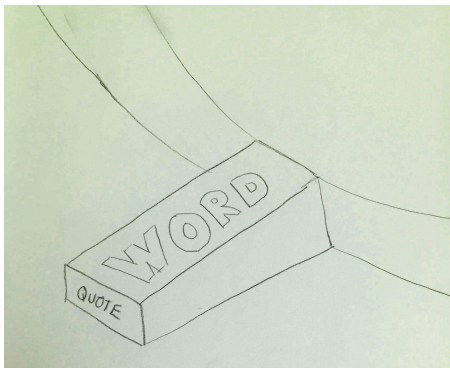
New Concepts

1. The pillars act as the trees roots and seating
 2. The words and quotes placed on the pillars
 3. The area is sunken into the ground
-



Wes's Concept

Sketches



Ideas

- Using the space in the defined area
- Connecting the words
- Connecting the people to the memorial
- Have our main focus on the tree
- Wheelchair accessible
- Words and quotes on pillars

Inspiration

- Show the roots of America
- Spreading and supporting America
- Create seating as well as a walkway
- Branch outward

Words and Quotes

Service:

“Those who are happiest are those who do the most for others.”

— Booker T. Washington

Sacrifice:

"In this world it is not what we take up, but what we give up, that makes us rich."

— Henry Ward Beecher

Hope:

“Only in the darkness can you see the stars.”

— Martin Luther King Jr.

Words and Quotes

Freedom:

“Freedom is what you do with what's been done to you.”

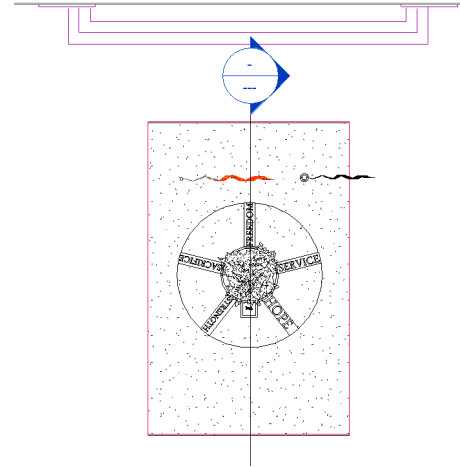
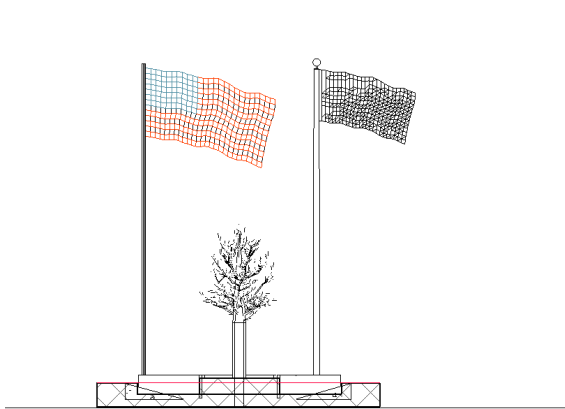
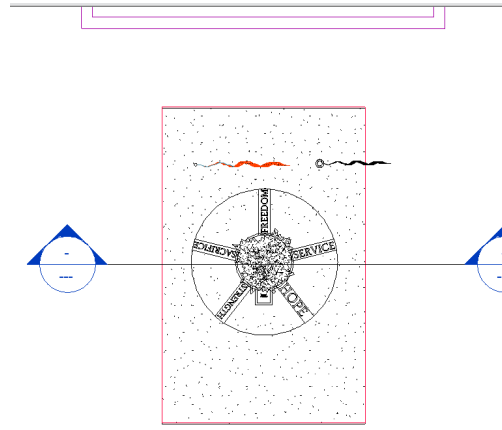
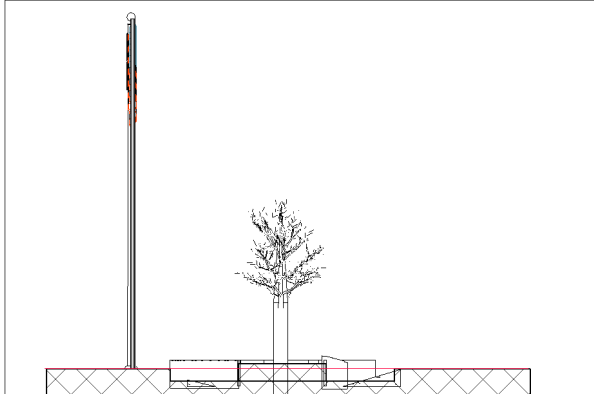
— Jean-Paul Sartre

Strength:

“Be sure you put your feet in the right place, then stand firm.”

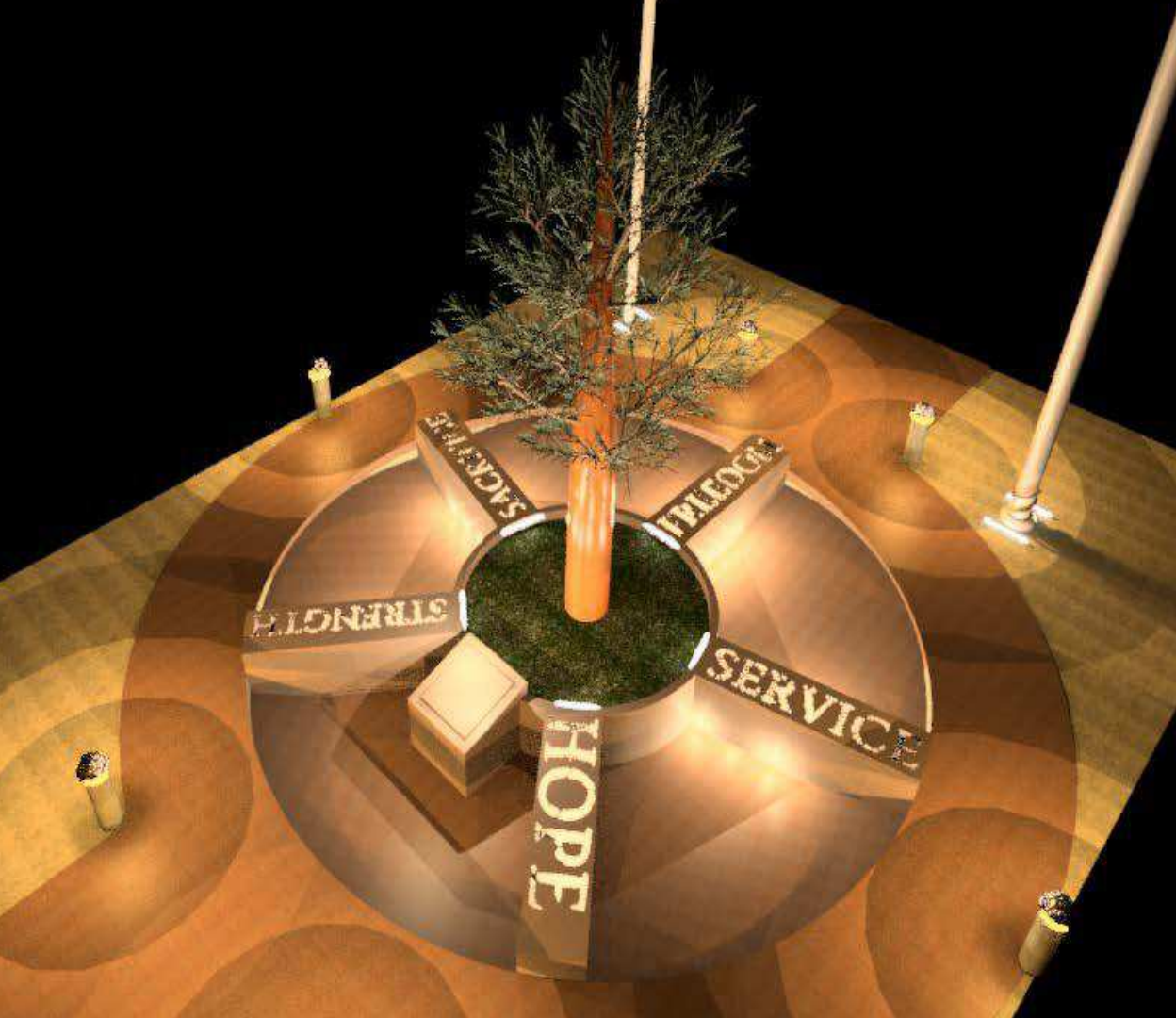
— Abraham Lincoln

Section Cuts



Daytime Rendering





Nighttime Rendering

We Hope You Liked It!