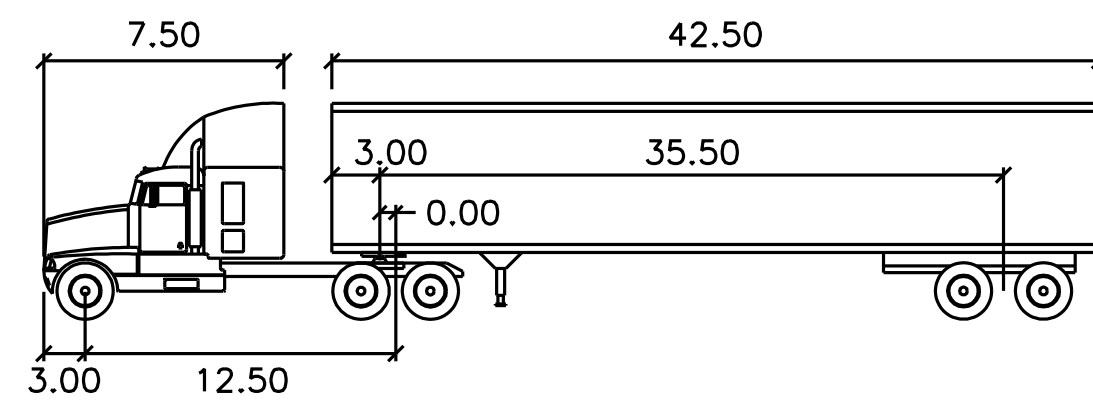
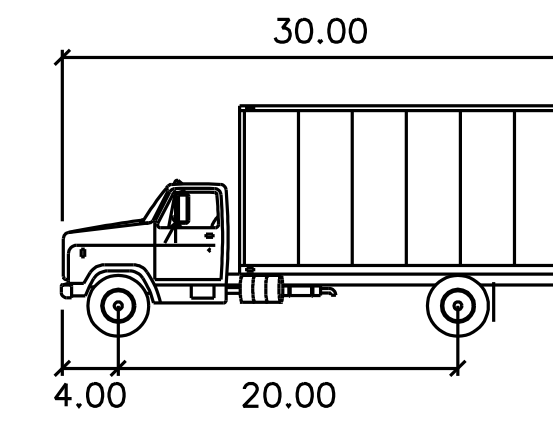


WB-50 TURNING MOVEMENTS

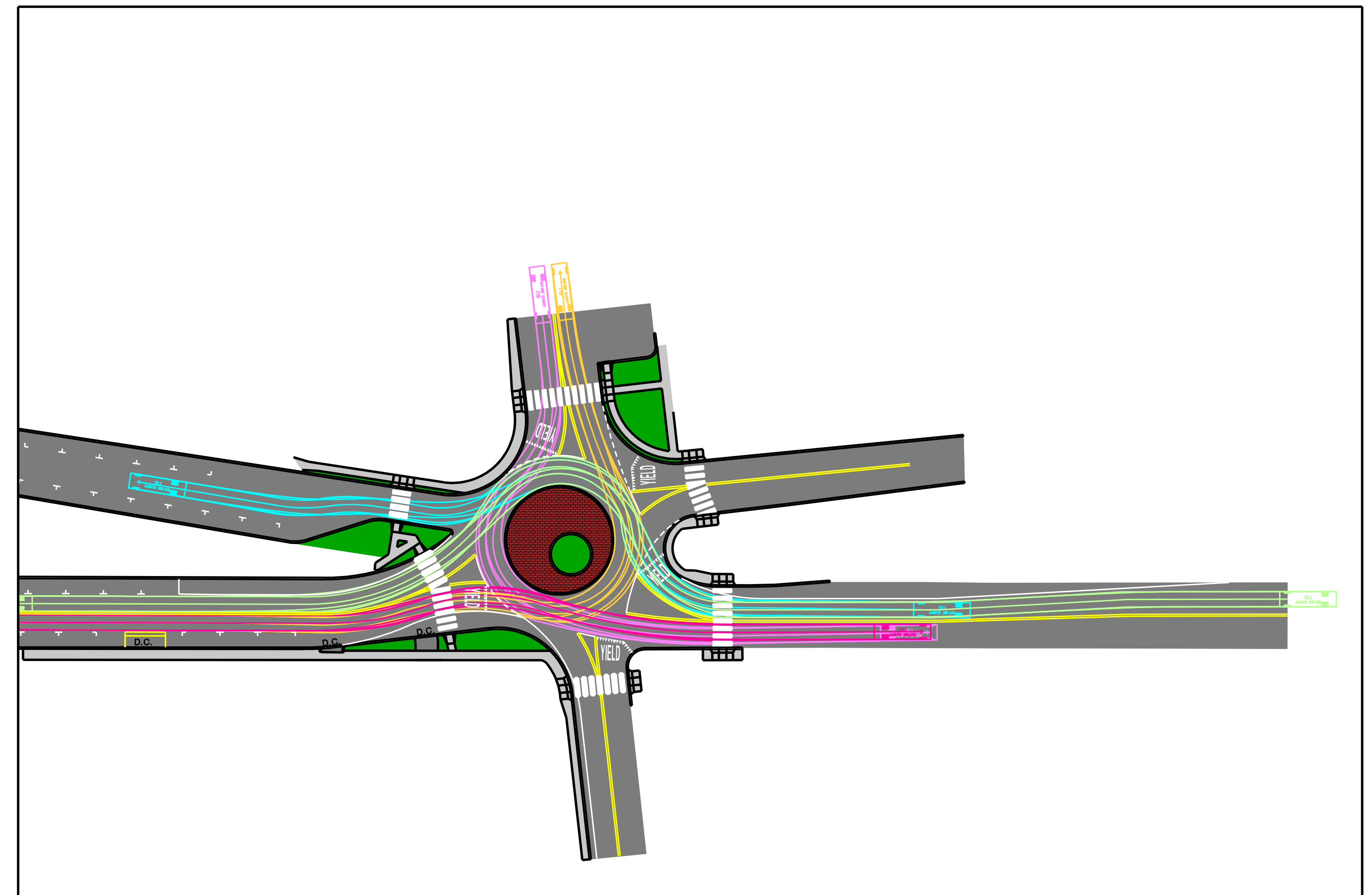
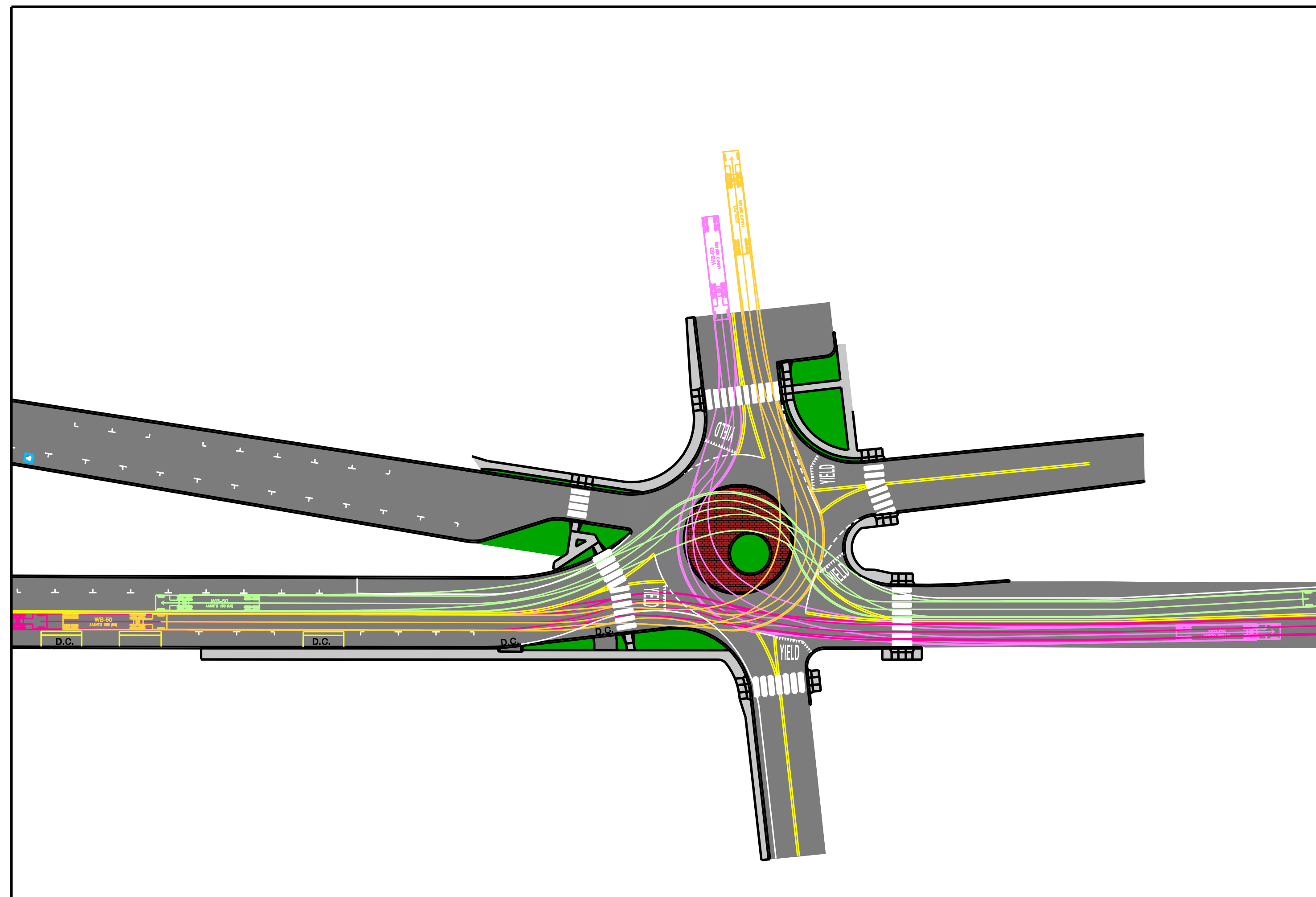


WB-50	feet		
Tractor Width	: 8.00	Lock to Lock Time	: 6.0
Trailer Width	: 8.50	Steering Angle	: 17.7
Tractor Track	: 8.00	Articulating Angle	: 70.0
Trailer Track	: 8.50		

SU TURNING MOVEMENTS



SU	feet
Width	: 8.00
Track	: 8.00
Lock to Lock Time	: 6.0
Steering Angle	: 31.8



COUNTY OF CAPE MAY

OFFICE OF THE COUNTY ENGINEER



JOB: **Myrtle Avenue, West Perry Street (CR 606)
and Park Boulevard Intersection Improvements
City of Cape May and Borough of West Cape May
Cape May County, New Jersey**

PREPARED BY:	URBAN ENGINEERS, INC.	55 HADDONFIELD RD, SUITE 200 CHERRY HILL, NJ 08002-4803
PREPARED FOR:	COUNTY OF CAPE MAY	CITY OF OCEAN CITY CAPE MAY COUNTY, NEW JERSEY